

## Rimless close coupled Doc M toilet pack, steel, concealed fixings



### Product details

- Warranty: See individual products
- Maximum load: See individual products
- Doc M compliant: Yes No
- Suitable for wet areas:

### Features

- Complies with Part M of the Building Regulations
- Inlet valve and syphon Reg 4 Certified (WRAS, NSF, Kiwa, etc.)
- Concealed fixing grab rails
- Optional TMV3 valve (F20-CCTX-MSC-\*\*) )
- Optional Doc M push button (F20-CCPB-MSC-\*\*) )
- Optional lockable cistern (F20-CCLX-MSC-\*\* & F20-CCTL -MS C)
- Universal - suitable for left or right-handed transfer
- Simple one box solution

### Finish options



White  
RAL 9016



Dark blue  
RAL 5011



Dark grey  
RAL 7016



Grey  
RAL 7005

### Product description

- Rimless close coupled Doc M toilet pack, steel, concealed fixings
- Rimless close coupled Doc M toilet pack, lockable cistern lid, steel, concealed fixings
- Rimless close coupled Doc M toilet pack, steel, concealed fixings, TMV3 valve
- Rimless close coupled Doc M toilet pack, lockable cistern lid, steel, concealed fixings, TMV3 valve
- Rimless ccoupled Doc M toilet pack, steel, concealed fixings, push button

### Product code

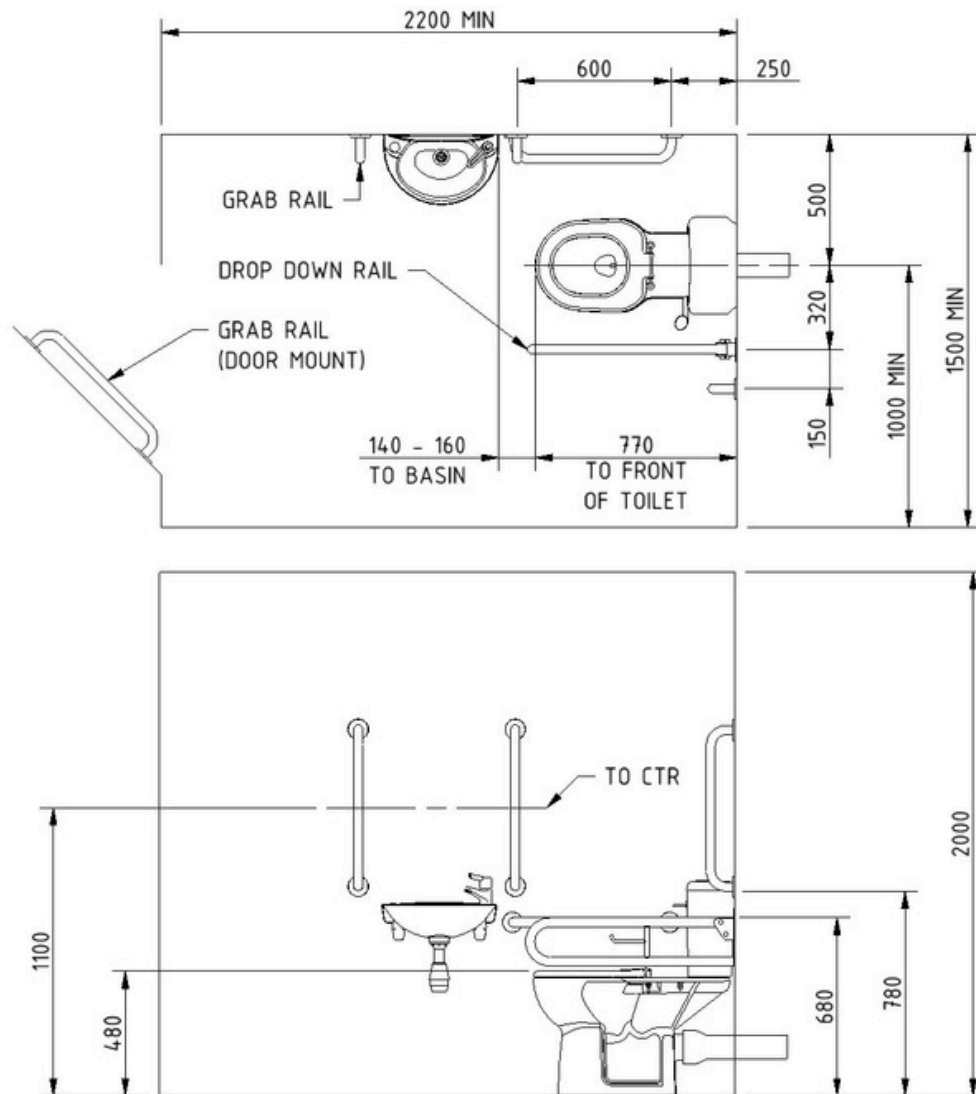
- F20-CCXX-MSC-\*\*
- F20-CCLX-MSC-\*\*
- F20-CCTX-MSC-\*\*
- F20-CCTL-MSC-\*\*
- F20-CCPB-MSC-\*\*

Replace \*\* with finish option code above e.g., F20-CCXX-MSC-DB

## Pack contents

- 5 x 600mm coated steel grab rails with concealed fixings
- 1 x 800mm coated steel hinged support rail with toilet roll holder
- 1 x Close coupled rimless Doc M pan
- 1 x Close coupled cistern (optional lockable lid – F20-CCLX-MSC-\*\* & F20-CCTL-MSC-\*\* only)
- 1 x Close coupled cistern fittings and Doc M spatula lever (optional Doc M push button - F20-CCPB-MSC-\*\* only)
- 1 x Ring only toilet seat
- 1 x Two tap hole basin
- 1 x Sequential basin mixer tap
- 1 x Tap hole stopper
- 1 x Basin waste
- 1 x TMV3 Valve (F20-CCTX-MSC-\*\* and F20-CCTL-MSC-\*\* only)

## Dimensions (mm)



## Disclaimer

NYMAS Group makes every effort to ensure that the information provided on this data sheet is correct. However, we cannot guarantee this, and accept no liability for any information or advice given on this data sheet.

## Cistern fitting pack for close coupled rimless pan



### Product details

Warranty: 2 years

Max rated load: n/a Yes

Doc M compliant: Yes

Suitable for wet areas:

### Features

- Inlet valve and syphon Reg 4 Certified (WRAS, NSF, Kiwa, etc.)
- Can provide both full and half flush
- Doc M spatula lever to provide easy operation for users with limited dexterity
- 6 litre flush

### Product description

Cistern fitting pack for close coupled rimless pan, includes lever and basin waste

### Product code

SANCCPK-4

### Pack contents

- 1 x Inlet valve
- 1 x Syphon
- 1 x Doc M spatula lever
- 2 x Cistern blanking plugs
- 1 x Close coupled fixing bolts
- 1 x Tap hole stopper
- 1 x Basin waste

### Disclaimer

NYMAS Group makes every effort to ensure that the information provided on this data sheet is correct. However, we cannot guarantee this, and accept no liability for any information or advice given on this data sheet.

## Ring only toilet seat



### Product details

- Warranty: 2 years
- Maximum load: n/a Yes
- Doc M compliant: Yes
- Suitable for wet areas:

### Features

- Complies with Part M of the Building Regulations
- Anti-bacterial, strong and durable seat
- Ergonomic and comfortable shape
- Dedicated moulded buffers for best stability
- Strong stainless steel hinge
- Fits pan NY01-PANCC02-WH (Only compatible with this pan)

### Finish options



Dark blue  
RAL 5011



Dark grey  
RAL 7016



Grey  
RAL 7005



White  
RAL 9016

### Product description

- Toilet seat, ring only, stainless steel hinge, dark blue (RAL 5011)
- Toilet seat, ring only, stainless steel hinge, dark grey (RAL 7016)
- Toilet seat, ring only, stainless steel hinge, grey (RAL 7005)
- Toilet seat, ring only, stainless steel hinge, white (RAL 9016)

### Product code

- NY01-SEAT03-DB
- NY01-SEAT03-DG
- NY01-SEAT03-GY
- NY01-SEAT03-WH

### Disclaimer

NYMAS Group makes every effort to ensure that the information provided on this data sheet is correct. However, we cannot guarantee this, and accept no liability for any information or advice given on this data sheet.

## Polished chrome sequential basin mixer tap



### Product details

Warranty:	2 years
Max rated load:	n/a
Doc M compliant:	Yes
Suitable for wet areas:	Yes
Flexi tap tail connection (to tap body):	M10 Thread
Flexi tap tail (onward connection):	3/4 Inch Diameter Thread

### Features

- Reg 4 Certified (WRAS, NSF, Kiwa, etc.)
- Easy operation for users with limited dexterity
- Cold start

### Finish options



Polished  
chrome

### Product description

Sequential basin mixer tap, polished chrome

### Product code

BPLMON

### Disclaimer

NYMAS Group makes every effort to ensure that the information provided on this data sheet is correct. However, we cannot guarantee this, and accept no liability for any information or advice given on this data sheet.