

## INSTALLING THE HPKV KEY TECHNOLOGY INTO YOUR URINAL



### DIAMETER OF URINAL HOLE

#### **Diameter of 50mm +/-1.5 mm**

The ideal hole diameter to accommodate the Key-Adapter is 50mm.

### DRAIN PROFILE

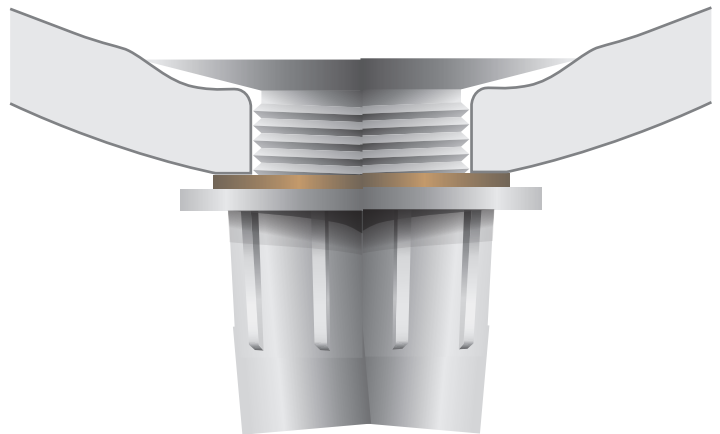
#### **A Continuous contour**

A curved drain surface prevents liquid residue from forming between the bowl drain and the Key-Adapter.

### INSTALLATION

#### **Installing the Key-Adapter Technology**

Our HPKV and Key-Adapter technology comes with a rubber gasket to help ensure the urinal drain is sealed.



We recommend the installation of a flexible closure between lower edge of the urinal drain and the Adapter-key. The Adapter-Key was designed to be tightened by hand without the help of other tools.