



- Available in 1200 (2 User), 1500 & 1800 (3 User)
- White or special order Granite Finish
- Tap Ledge for Deck Mounted Taps
- Supplied Without Tap Holes
- Lightweight and Extremely Durable
- Includes Wall Fixing Brackets
- Smooth Gel-Coat Finish
- Central 2" BSP Waste

Tap Holes: Supplied without tap holes, these can easily be drilled on site as part of the installation.

The Gentworks GRP range of wash troughs are manufactured in the UK from Glass-Fibre Reinforced Polyester Resin with a smooth gel-coat finish that is resistant to staining. Its smooth design enables easy cleaning without the requirement for strong cleaning products. The Wash Trough is designed to be wall mounted making it simple and quick to install. These wash troughs maximise the amount of available space, they are easier to keep clean and more hardwearing than conventional vanity units that incorporate basins.

Sample specification Text

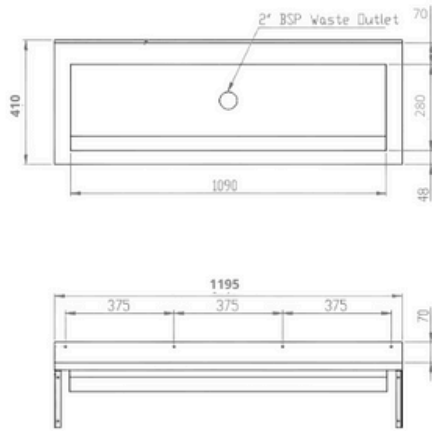
Gentworks **White/Granite** Finish GRP Wash Trough **1195mm/1495mm/1795mm(L)** x 410mm (W) x 295mm (H) Complete with 70mm tap ledge, wall brackets and central 2" BSP Waste. Supplied without tap holes. Product Code GW-GRPT

*RED TEXT may denote a variable

Taps are not included and are shown for illustrative purposes only

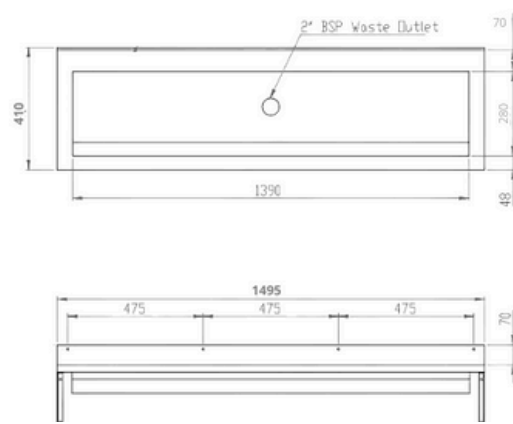
1200 Wash Trough

Wall Mounted GRP Wash Trough



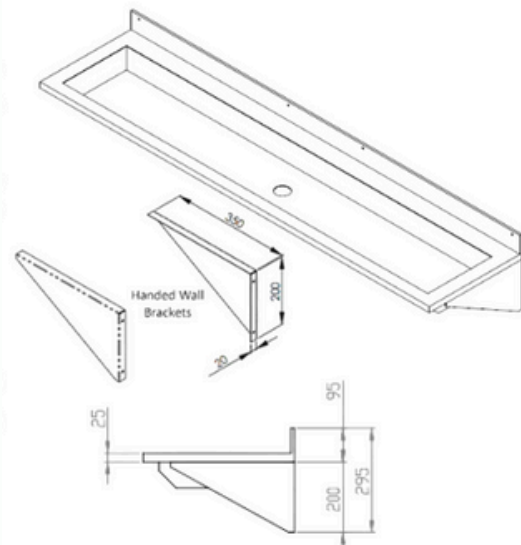
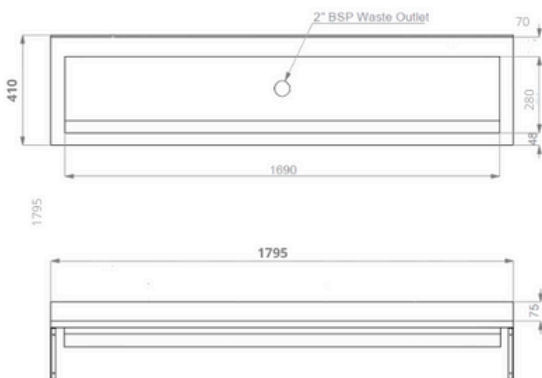
1500 Wash Trough

Wall Mounted GRP Wash Trough



1800 Wash Trough

Wall Mounted GRP Wash Trough



All technical drawings are a typical representation and subject to variation.

Recommended 50mm P Trap (Not Supplied): McAlpine SE10

Taps & Accessories



50mm (2" BSP) Tubular Swivel 'P' Trap [SE10-GW]



2" to 1½" (40mm) Waste Outlet Reducer [T12C]



Self Closing Single Feed Tap [TAP-C-10]



Temposoft 2 Self Closing Single Feed Tap [TAP-H-10]



Monobloc Sequential Lever Mixing Tap [TAP-D-16X1]