

## NymaPRO Back to Wall Doc M pack steel Grab Rail



### Product Detail:

- 5 x 600mm grab rails
- 1 x 800mm lift & lock steel hinged rail
- 1 x Back to wall WC pan assembly
- 1 x WRAS approved concealed cistern
- 1 x Ring only toilet seat with stainless steel hinge
- 1 x Two tap hole basin & fittings
- 1 x Sequential basin mixer tap
- 1 x Spatula cistern lever
- 1 x Spacer assembly for BTW pan
- 1 x Tap hole cover
  
- 1 x TMV3 in-line thermostatic valve (optional to complete pack)

Complies with Doc M of the Building Regulations

LABC approved

WRAS approved

All components available as individual products

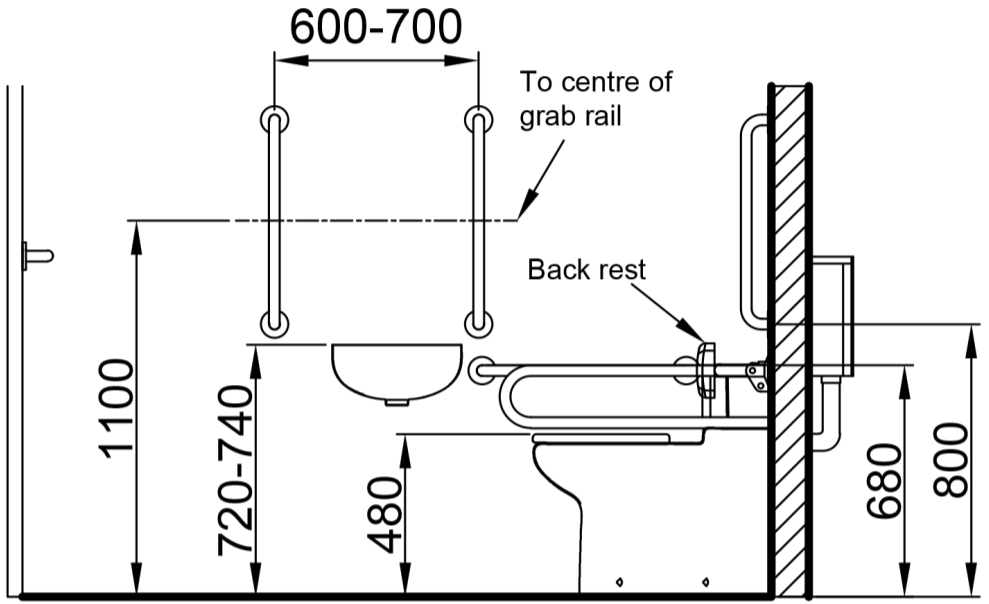
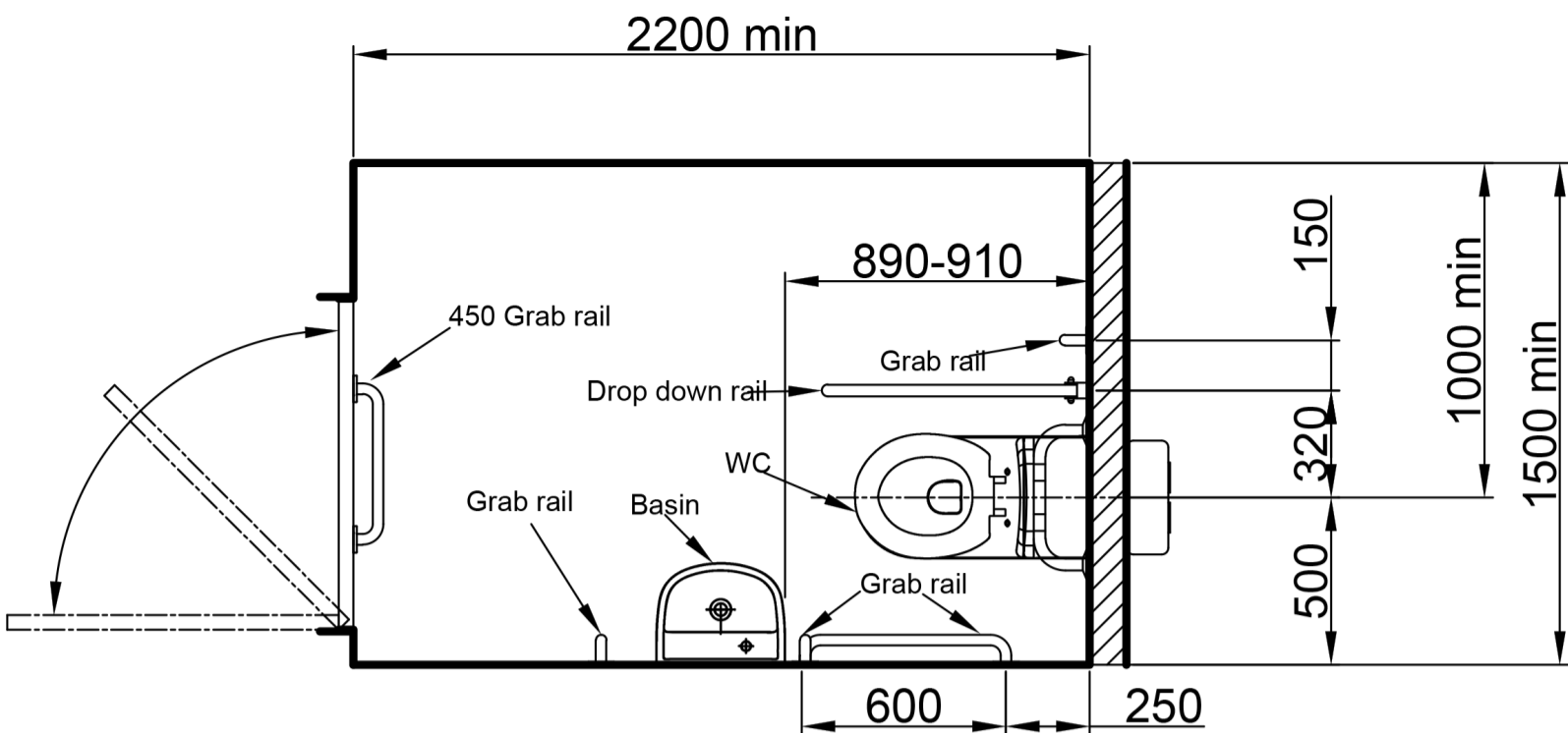
Toilet seat with adjustable buffers and stainless steel pillar hinge

Universal - left or right handed

Reference (specify): DM800K / Exposed fixings

Available colours/finishes





Above is for guidance only, refer to relevant building regulations  
(Only Nymas components shown. See data sheet for pack components).

Order Code	Size (A)
DM800K	Exposed fixings
DM800KC	Concealed fixings
DM820K	Exposed fixings (with TMV3 valve)
DM820KC	Concealed fixings (with TMV3 valve)

PLEASE NOTE: Every effort has been made to ensure as much accuracy as possible. However, due to print restrictions exact colour match is not always possible. Featured products may also be changed from time to time, but are correct at time of publication.

\* Terms and Conditions apply - [www.nymas.co.uk/warranties](http://www.nymas.co.uk/warranties)