



- Wall mounted waterless urinal in vitreous china
- Choice of waterless system options available
- Specifically designed waterless urinal without spreader hole
- Suitable for exposed or concealed pipework
- Open shroud design allows easy access for maintenance

The Marfa Ceramic Waterless Urinal helps reduce water consumption in commercial washrooms. Its modern design features clean lines and a shroud that conceals waste outlet connections, while still allowing access for maintenance. The urinal is suitable for both horizontal concealed and vertical exposed pipe installations.

We offer a range of waterless urinal systems, including Microbiological and Valve Barrier Systems, all specifically designed to prevent odours and blockages. Choose the option that best suits your needs.

- **Microbiological System:** *Aquafree UMD* - Replaceable cartridges with microbes break down urine into odourless components. Simple to install and easily connects to existing pipework. Works effectively even with imperfectly vented waste pipes. Regular sluicing is required, and incompatible cleaning products can disable the system.
- **Valve Barrier Systems:** *GW6-15 & Falcon HPKV* - One-way valves block foul drain odours and must be connected to well-vented pipework WITHOUT traps. Typically has a longer lifespan, with the Falcon HPKV Version featuring a visual indicator for when replacement is needed. Weekly sluicing is recommended and incompatible cleaning products can damage the valves.

All systems require maintenance and the use of suitable cleaning products for optimal performance, but their significant water savings make them a highly beneficial solution.

Sample specification Text

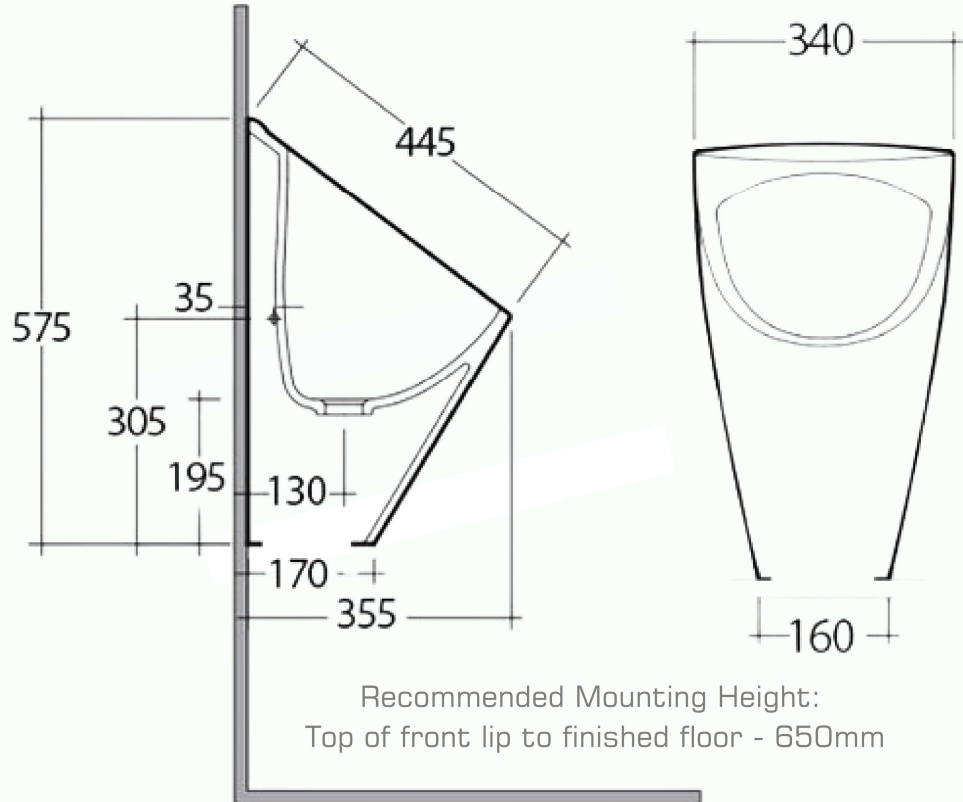
Marfa Ceramic Waterless Urinal 575mm(H) x 340mm (W) x 355mm Projection with a choice of waterless urinal systems.
MARFA-UO/UMD/GW615/FALCON-HPKV

*RED TEXT may denote a variable

CERAMIC WATERLESS URINAL
WITH CHOICE OF WATERLESS SYSTEM

**MODEL
MARFA**

Gentworks



Waste Fitting Notes: Hand tighten waste only, apply 100% silicone sealant around the edge, remove excess, and allow 24 hours to dry before testing.

Waterless System Options



AQUAfree
UMD



GW6-15



NO TRAP



FALCON
WATERFREE TECHNOLOGIES
HPKV



NO TRAP

Gentworks

www.gentworks.co.uk | sales@gentworks.co.uk | Ph. +44(0)1844 353210