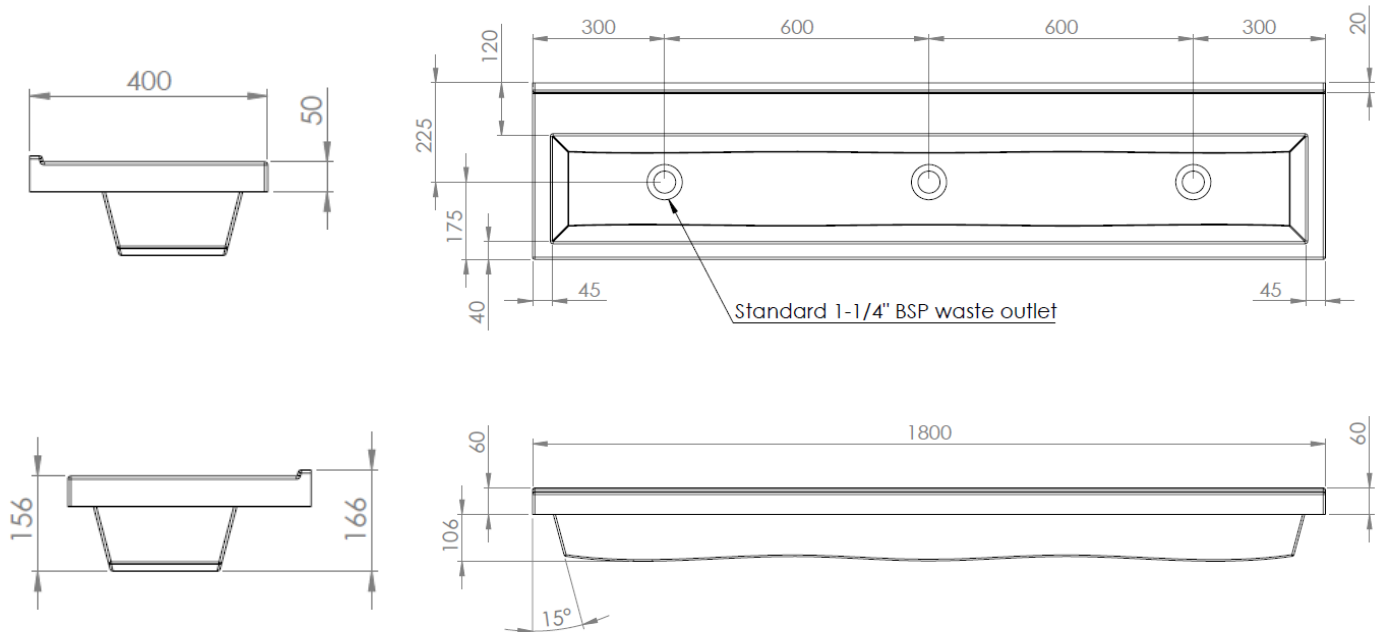


INSTALLATION AND MAINTENANCE INSTRUCTIONS



Ensure the wash trough is in perfect condition before proceeding with the installation or disposing of the packaging.

Air bubbles and imperfections on the non visible underside is normal and just a result of the casting process.

The wash trough must be installed onto a supporting frame basin unit (not supplied) as an inset or sink top.

The wash trough should be attached to the frame or counter top by the corner fixing points (drilled to accept a self-thread fixing or chemical fixing stud [supplied by others] and a good quality silicone.

DRILLING FOR TAP HOLES

- Place the wash trough upside-down on to a soft clean surface that won't scratch or cause damage.
- Decide on tap holes required: (usually single 35mm for monobloc mixer taps, 28mm for single feed taps) .
- Use the factory made drilling point markers on the underside of the tap deck as a guide.
- Drill a small pilot hole through the tap deck in the required positions. Remember to wear the correct PPE when using power tools.
- Turn the wash trough back over with the top facing up.
- With a good quality diamond tipped or bi-metal hole saw of the correct diameter, drill each tap hole using the pilot holes already drilled as a guide. To avoid overheating and binding, use low speed and don't push down too hard when drilling. Take care that the drill chuck does not scratch the surface as the hole is made.

CLEANING AND MAINTENANCE

The visible surface is protected by a gelcoat, which is at least 0.5 mm thick.

Clean with normal liquid detergent - do not use cleaners containing abrasives.

Buff with a good quality polish such as Countertop Magic (car care products are a good alternative).

Do not expose the wash trough to acids, ammonia, drain cleaner, dyes or chlorine. If the surface does become scratched or faded, please polish and wax.

Deeper scratches can normally be carefully polished put with wet strength sandpaper (approx. 1200 grain) or automotive polishing cutting compounds such as T-Cut or Farecla G3.

If more serious damage occurs a repair kit can be supplied.